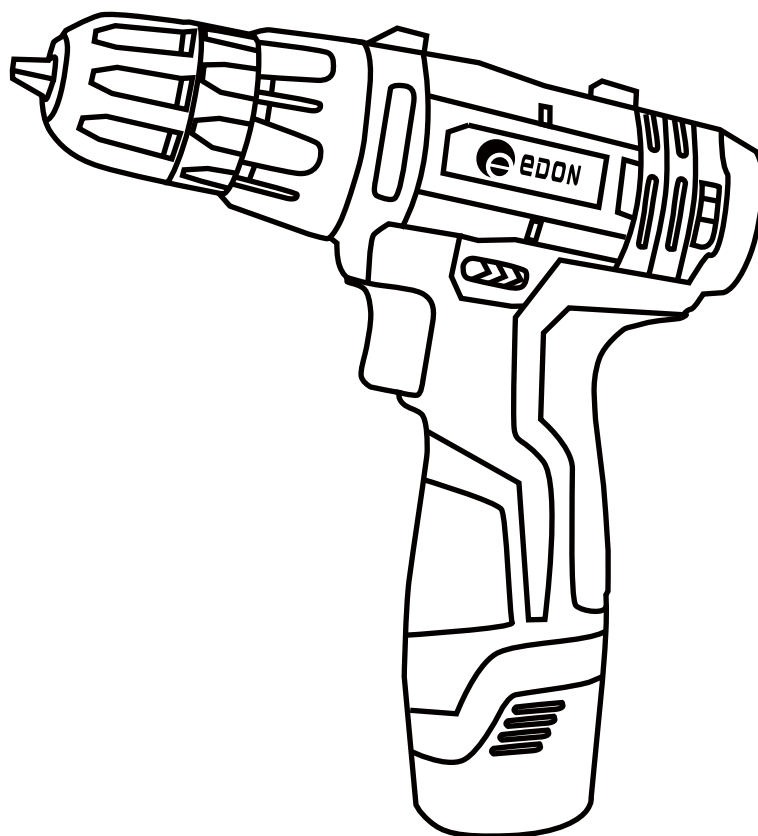




EN *CORDLESS DRILL*

RU *ДРЕЛЬ-ШУРУПОВЕРТ АККУМУЛЯТОРНЫЙ*

UA *ДРИЛЬ-ШУРУПОКРУТ АКУМУЛЯТОРНИЙ*



ED-1201 / AD-1201 / ED3-1210



SPECIFICATIONS

Model	ED-1201	AD-1201	ED3-1210
Voltage(V)	12	12	12
No load speed(R/min)	0-600	0-600	0-600
Battery capacity(A/h)	1.5	1.5	1.5
Maximum torque (N.m)	15	15	15
Chuck (MM)	10	10	10
Battery charging time(MIN)	60	60	60
Weight(Kg)	0.9	0.9	0.9

Charger model

Charger input(V) 220–240~

Allowable temperature 5–40°C

Manufacturer reserves the right to change specifications without notice.
Specifications may differ from country to country.

⚠ WARNING:

Read and understand all instructions. Failure to follow all instructions listed below, may result in electric shock, fire and/or serious personal injury.

Work Area

1. Keep your work area clean and well lit. Cluttered benches and dark areas invite accidents.
2. Do not operate power tools in explosive atmospheres, such as in the presence of flammable liquids, gasses, or dust. Power tools create sparks which may ignite the dust or fumes.
3. Keep bystanders, children, and visitors away while operating a power tools. Distractions can cause you to lose control.

Personal Safety

4. Stay alert, watch what you are doing, and use common sense when operating a power tool. Do not use tool while tired or under the influence of drugs, alcohol, or medication. A moment of inattention while operating power tools may result in serious personal injury.
5. Dress properly. Do not wear loose clothing or jewelry, contain long hair. Keep your hair, clothing, and glover away from moving parts. Loose clothes, jewelry, or long hair can be caught in moving parts.
6. Avoid accidental starting. Be sure switch is in the locked or off position before inserting battery pack. carrying tools with your finger on the switch or in serting the battery pack into a tool with the switch on invites accidents.

7. Remove adjusting keys or wrenches before turning the tool on. A wrench or a key that is left attached to a rotating part of the tool may result in personal injury.
 8. Do not overreach. Keep proper footing and balanced at all times. Proper footing and balance enable better control of the tool in unexpected situations.
 9. Use safety equipment. Wear eye protection. Dust mask, non-skid safety shoes, hard hat, or hearing protection must be used for appropriate conditions.
- Tool Use and Care**
10. Use clamps or other practical way to secure and support the workplace to a stable platform. Holding the work by hand or against your body is unstable and may lead to loss of control.
 11. Do not force tool. Use the correct tool for your application. The correct tool will do the job better and safer at the rate for which it is designed.
 12. Do not use tool if switch does not turn it on or off. A tool that cannot be controlled with the switch is dangerous and must be repaired.
 13. Disconnect battery pack from tool or place the switch in the locked or off position before making any adjustments, changing accessories, or storing the tool. Such preventive safety measures reduce the risk of starting the tool accidentally.
 14. Store idle tools out of reach of children and other untrained persons. Tools are dangerous in the hands of untrained users.
15. When battery pack is not in use, keep it away from other metal objects like: paper clips, coins, keys, nails, screws, or other small metal objects that can make a connection from one terminal to another. Shorting the battery terminals together may cause sparks, burns, or a fire.
 16. Maintain tools with care. Keep cutting tools sharp and clean. Properly maintained tools with sharp cutting edge are less likely to bind and are easier to control.
 17. Check for misalignment or binding of moving parts, breakage of parts, and any other condition that may affect the tools operation. If damaged, have the tool serviced before using. Many accidents are caused by poorly maintained tools.
 18. Use only accessories that are recommended by the manufacturer for your model. Accessories that may be suitable for one tool may create a risk for injury when used on another tool.

SERVICE

19. Tool service must be performed only by qualified repair personnel. Service or maintenance performed by unqualified personnel may result in a risk of injury.
20. When servicing a tool, use only identical replacement parts. Follow instructions in the maintenance section of this manual. Use of unauthorized parts or failure to follow maintenance instructions may create a risk of shock injury.

SPECIFIC SAFETY RULES

DO NOT let comfort or familiarity with product (gained from repeated use) replace strict adherence to cordless drill safety rules. if you use this tool unsafely or incorrectly, you can suffer serious personal injury.

1. Hold tool by insulated gripping surfaces when performing an operation where the cutting tool may contact hidden wiring. Contact with a "live" wire will also make exposed metal parts of the tool "live" and shock the operator.
2. Be aware that this tool is always in an operating condition, because it does not have to be plugged into an electrical outlet.
3. Always be sure you have a firm footing.
4. Be sure no one is below when using the tool in high locations.
5. Hold the tool firmly.
6. Keep hands away from rotating parts.
7. Do not leave the tool running. Operate the tool only when hand-held.
8. Do not touch the drill bit or the workpiece immediately after operation; they may be extremely hot and could burn your skin.
9. Some material contains chemicals which may be toxic. Take caution to prevent working dust inhalation and skin contact. Follow material supplier safety data.

IMPORTANT SAFETY INSTRUCTIONS FOR BATTERY

1. Before using battery cartridge, read all instructions and cautionary markings on (1) battery charger, (2) battery, and (3) products using battery.
2. Do not disassemble battery cartridge.
3. If operating time has become excessively shorter, stop operating immediately. It may result in a risk of overheating, possible burns and even an explosion.
4. If electrolyte gets into your eyes, rinse them out with clean water and seek medical attention right away. It may result in loss of your eyesight.
5. Always cover the battery terminals with the battery cover when the battery cartridge is not used.
6. Do not short the battery cartridge:
 - (1) Do not touch the terminals with any conductive material.
 - (2) Avoid storing battery cartridge in a container with other metal objects such as nails, coins, etc.
 - (3) Do not expose battery cartridge to water or rain. A battery short can cause a large current flow, overheating, possible burns and even a breakdown
7. Do not store the tool and battery cartridge in locations where the temperature may reach or exceed 50°C (122°F)
8. Do not incinerate the battery cartridge even if it is severely damaged or is completely worn out. The battery cartridge can explode in a fire.
9. Be careful not to drop or strike battery.

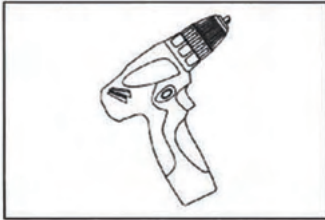
IMPORTANT SAFETY INSTRUCTIONS FOR CHARGER

1. Before using battery charger, read all instructions and cautionary markings on (1) battery charger, (2) battery, and (3) products using battery.
2. CAUTION: To reduce risk of injury, charge only most rechargeable batteries. Other types of batteries may burst, causing personal injury and damage.
3. Non-rechargeable batteries cannot be charged with this battery charger.
4. Use a power source with the voltage specified on the nameplate of the charger.
5. Do not charge the battery cartridge in presence of flammable liquids or gases.
6. Do not expose charger to rain or snow.
7. Never carry charger by cord or yank it to disconnect from receptacle.
8. After charging or before attempting any maintenance or cleaning, unplug the charger from the power source. Pull by plug rather than cord whenever disconnecting charger.
9. Make sure cord is located so that it will not be stepped on, tripped over, or otherwise subjected to damage or stress.
10. Do not operate charger with damaged cord or plug-replace them immediately.
11. Do not operate or disassemble charger if it has received a sharp blow, been dropped, or otherwise damaged in any way, take it to a qualified serviceman. Incorrect use or reassembly may result in a risk of electric shock or fire.
12. The battery charger is not intended for use by young children or infirm persons without supervision.
13. Young children should be supervised to ensure that they do not play with battery charger.
14. Do not charge battery cartridge when temperature is BELOW 10°C (50°F) or ABOVE 40°C (104°F).
15. Do not attempt to use a step-up transformer, an engine generator or DC power receptacle.

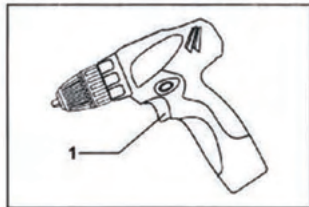
Tips for maintaining maximum battery life

1. Charge the battery before completely discharged. Always stop tool operation and charge the battery when you notice less tool power.
2. Never recharge a fully charged battery cartridge. Overcharging shorten the battery service life.
3. Charge the battery with room temperature 10°C-40°C (50°F - 104°F). Let a hot battery cool down before charging it.
4. Charge the Nickel Metal Hydride battery when you do not use it for more than six months.

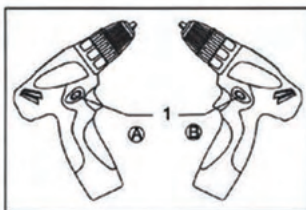
FUNCTIONAL DESCRIPTION



Battery cartridge



1. Switch trigger



1. Reversing switch lever



1. Lamp

⚠ CAUTION:

- Always be sure that the tool switched off and the battery cartridge is removed before adjusting or checking function on the tool.

Installing or removing battery cartridge

- Always switch off the tool before insertion or removal of the battery cartridge.
- To remove the battery cartridge, withdraw it from the tool while pressing the buttons on both sides of the cartridge.
- To insert the battery cartridge, align the tongue on the battery cartridge with the groove in the housing and slip it into place. Always insert it all the way until it locks in place with a little click. If not, it may accidentally fall out of the tool, causing injury to you or someone around you.
- Do not use force when inserting the battery cartridge. If the cartridge does not slide in easily, it is not being inserted correctly.

Switch action

⚠ CAUTION:

- Before inserting the battery cartridge into the tool, always check to see that the switch trigger actuates properly and returns to the "OFF" position when released.

To start the tool, simply pull the switch trigger. Tool speed is increased by increasing pressure on the switch trigger. Release the switch trigger to stop.

Electric brake

This tool is equipped with an electric brake. If the tool consistently fails to quickly stop after switch trigger release, have tool serviced at a Mosta service center.

Reversing switch action

This tool has a reversing switch to change the direction of rotation. Depress the reversing switch lever from the A side for clockwise rotation or from the B side for counterclockwise rotation.

When the reversing switch lever is in the neutral position, the switch trigger cannot be pulled.

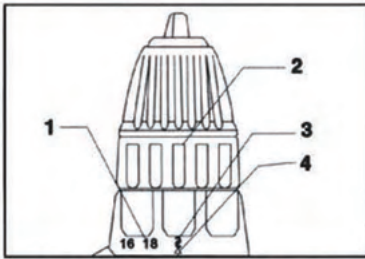
⚠ CAUTION:

- Always check the direction of rotation before operation.
- Use the reversing switch only after the tool comes to a complete stop. Changing the direction of rotation before the tool stops may damage the tool.
- When not operating the tool, always set the reversing switch lever to the neutral position.

Lighting up the front lamp


⚠ CAUTION:


- Do not look in the light or see the source of light directly. Pull the switch trigger to light up the lamp. The lamp keeps on lighting while the switch trigger is being pulled.
- Use a dry cloth to wipe the dirt off the lens of lamp. Be careful not to scratch the lens of lamp, or it may lower the illumination.



1. Graduations
2. Adjusting ring
3. Drill marking
4. Pointer

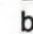
Adjusting the fastening torque

The fastening torque can be adjusted in 19 step by turning the adjusting ring so that its graduations are aligned with the pointer on the tool body. The fastening torque is minimum when the number 1 is aligned with the pointer, and maximum when the  marking is aligned with the pointer.

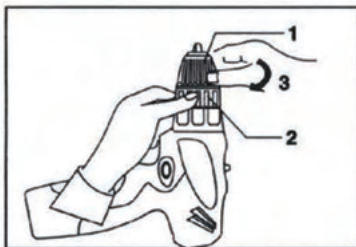
The clutch will slip at various torque levels when set at the number 1 to 18. The clutch is designed not to slip at the  marking.

Before actual operation, drive a trial screw into your material or a piece of duplicate material to determine which torque level is required for a particular application.

NOTE:

- The adjusting ring does not lock when the pointer is positioned only halfway between the graduations.
- Do not operate the tool with the adjusting ring set between the number 18 and the  marking. The tool may be damaged.

ASSEMBLY



1. Sleeve
2. Ring
3. Tighten

⚠ CAUTION:

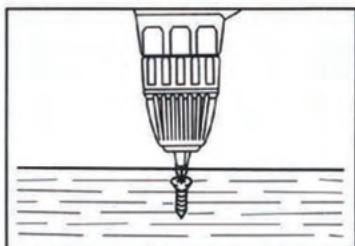
- Always be sure that the tool is switched off and the battery cartridge is removed before carrying out any work on the tool.

Installing or removing driver bit or drill bit

Hold the ring and turn the sleeve counterclockwise to open the chuck jaws. Place the bit in the chuck as far as it will go. Hold the ring firmly and turn the sleeve clockwise to tighten the chuck.

To remove the bit, hold the ring and turn the sleeve counterclockwise.

OPERATION



Screwdriving operation

Place the point of the driver bit in the screw head and apply pressure to the tool. Start the tool slowly and then increase the speed gradually. Release the switch trigger as soon as the clutch cuts in.

⚠ CAUTION:


- Make sure that the driver bit is inserted straight in the screw head, or the screw and/or bit may be damaged.

NOTE:

- When driving wood screws, predrill pilot holes to make driving easier and to prevent splitting of the workpiece. See the chart.

Nominal diameter of wood screw (mm)	Recommend size of pilot hole (mm)
3.1	2.0-2.2
3.5	2.2-2.5
3.8	2.5-2.8
4.5	2.9-3.2
4.8	3.1-3.4
5.1	3.3-3.6
5.5	3.5-3.9
5.8	3.8-4.1
8.0	5.0-5.5

Drilling operation

First, turn the adjusting ring, so that the pointer points to the  marking. Then proceed as follows.

Drilling in wood

When drilling in wood, the best results are obtained with wood drills equipped with a guide screw. The guide screw makes drilling easier by pulling the bit into the workpiece.

Drilling in metal

To prevent the bit from slipping when starting a hole, make an indentation with a center-punch and hammer at the point to be drilled.

Place the point of the bit in the indentation and start drilling. Use a cutting lubricant when drilling metals. The exceptions are iron and brass which should be drilled dry.

CAUTION:

- Pressing excessively on the tool will not speed up the drilling. In fact, this excessive pressure will only serve to damage the tip of your bit, decrease the tool performance and shorten the service life of the tool.
- There is a tremendous force exerted on the tool/bit at the time of hole break through. Hold the tool firmly and exert care when the bit begins to break through the workpiece.
- A stuck bit can be removed simply by setting the reversing switch to reverse rotation in order to back out. However, the tool may back out abruptly if you do not hold it firmly.
- Always secure small workpieces in a vise or similar holddown device.
- If the tool is operated continuously until the battery cartridge has discharged, allow the tool to rest for 15 minutes before proceeding with a fresh battery.

Before using the driver drill, charge the battery as follows.

1. Plug the battery charger into the proper AC voltage source. The charging light will lighten in green color.
2. Insert the battery cartridge so that the plus and minus terminals on the battery cartridge are on the same sides as their respective markings on the charger.
3. When the battery cartridge is inserted fully, the charging light will change from green to red and charging will begin. The changing light will remain lit steadily during charging.
4. When the charging light changes from red to green, the charging cycle is complete.
5. After charging, unplug the charger from the power source.

⚠ CAUTION:

- The battery charger is for charging Mosta battery cartridge. Never use it for other purposes or for other manufacture is batteries.
- When you charge a battery cartridge which is new or has not been used for a long period of time , it may not accept a full charge until after discharging it completely and recharging a couple of times.
- If you charge a battery from a just operated tool or a battery which has been exposed to diect sunlight or heat for a long time , the charging light may lighten in green color . If this occurs,wait for a while.Charging will begin after the battery cool.

Уважаемый покупатель!

Компания EDON выражает Вам признательность за приобретение нашего электроинструмента.

Изделия под торговой маркой EDON постоянно совершенствуются и улучшаются. Поэтому технические характеристики и дизайн могут меняться без предварительного уведомления. В связи с этим, приносим Вам извинения за возможные причиненные неудобства.

При покупке требуйте проверку инструмента на работоспособность. Сохраните настоящее руководство и сделайте его доступным другим пользователям инструмента.

1. Общие указания

Дрель-шуруповерт аккумуляторная (далее по тексту - "машина") предназначена для заворачивания/отворачивания винтов и шурупов, сверления отверстий в различных конструкционных материалах (в том числе металле, дереве, пластмассе и т.п.).

Машина предназначена для эксплуатации при температуре окружающей среды от 0°C до +40°C относительной влажности воздуха не более 80% и отсутствии прямого воздействия атмосферных осадков и чрезмерной запыленности воздуха.

Настоящее руководство содержит сведения и требования, необходимые и достаточные для надёжной, эффективной и безопасной эксплуатации машины.

В связи с постоянной деятельностью по совершенствованию машины изготовитель оставляет за собой право вносить в её конструкцию незначительные изменения, не отражённые в настоящем руководстве и не влияющие на эффективную и безопасную работу машины.

Машина предназначена для бытового применения. Машина имеет современный дизайн, проста и надёжна в работе, удобна в обслуживании и прослужит Вам долгое время.

2. Функциональные особенности шуруповертов

Функция / Модель	ED-1201	AD-1201	ED3-1210
Шуруповерт	есть	есть	есть
Дрель	есть	есть	есть
Перфоратор (удар с вращением патрона)	нет	нет	нет
Быстросъёмный патрон	нет	нет	нет
Шестигранный шпиндель-наконечник для бит	нет	нет	нет
Подсветка зоны	есть	есть	есть
Уровень заряда аккумулятора на шуруповерте	нет	нет	нет

ВНИМАНИЕ! Комплектация инструмента может изменяться заводом-изготовителем без предварительного уведомления.

3. Требования безопасности

ВНИМАНИЕ! Прочтите все предупреждения и указания мер безопасности и все инструкции. Невыполнение предупреждений и инструкций может привести к поражению электрическим током, пожару и (или) серьёзным повреждениям. **Сохраните все предупреждения и инструкции для того, чтобы можно было обращаться к ним в дальнейшем.**

Термин "электрическая машина" используется для обозначения Вашей машины с электрическим приводом, работающим от сети (снабжённого шнуром) или машины с электрическим приводом, работающим от аккумуляторных батарей.

Безопасность рабочего места

Содержите рабочее место в чистоте и обеспечьте его хорошее освещение. Если рабочее место загромождено или плохо освещено, это может привести к несчастным случаям.

Не следует эксплуатировать электрические машины в взрывоопасной среде (например, в присутствии воспламеняющихся жидкостей, газов или пыли). Машины с электрическим приводом являются источником искр, которые могут привести к возгоранию пыли или паров.

Не подпускайте детей и посторонних лиц к электрической машине в процессе её работы. Отвлечение внимания может привести Вас к потере контроля над машиной.

Электрическая безопасность

Штепсельные вилки электрических машин (зарядных устройств) должны подходить под розетки. Никогда не изменяйте конструкцию штепсельной вилки каким-либо образом. Не используйте каких-либо переходников для машин с заземляющим проводом. Использование оригинальных вилок и соответствующих розеток уменьшит риск поражения электрическим током;

Не допускайте контакта тела с заземленными поверхностями, такими, как трубы, радиаторы, плиты и холодильники. Существует повышенный риск поражения электрическим током, если Ваше тело заземлено.

Не подвергайте электрические машины воздействию дождя и не держите их во влажных условиях. Вода, попадая в электрическую машину, увеличивает риск поражения электрическим током.

Обращайтесь аккуратно со шнуром. Никогда не используйте шнур для переноса, перетаскивания электрической машины (зарядного устройства) и вытаскивания вилки из розетки. Исключите воздействие на электрический шнур тепла, масла, острых кромок или движущихся частей. Поврежденные или скрученные шнуры увеличивают риск поражения электрическим током;

При эксплуатации электрической машины (зарядного устройства) на открытом воздухе пользуйтесь удлинителем, пригодным для использования на открытом воздухе. Применение шнура, предназначенного для использования на открытом воздухе, уменьшает риск поражения электрическим током;

Если нельзя избежать эксплуатации электрической машины (зарядного устройства) во влажных условиях, используйте источник питания, снабженный устройством защитного отключения (УЗО). Использование УЗО уменьшает риск поражения электрическим током.

Личная безопасность

Будьте бдительны, следите за своими действиями и руководствуйтесь здравым смыслом при эксплуатации электрических машин. Не пользуйтесь электрическими машинами, если Вы устали, находитесь под действием наркотических средств, алкоголя или лекарственных препаратов. Кратковременная потеря концентрации внимания при эксплуатации электрических машин может привести к серьезным повреждениям.

Пользуйтесь индивидуальными защитными средствами. Всегда надевайте средства для защиты глаз. Защитные средства - такие, как маски, предохраняющие от пыли, перчатки, обувь, предохраняющая от скольжения, каска или средства защиты ушей, используемые в соответствующих условиях - уменьшат опасность получения повреждений.

Не допускайте случайного включения машин. Обеспечьте, чтобы выключатель находился в положении «Отключено» перед подсоединением к сети и (или) к аккумуляторной батарее и при подъеме и переноске электрической машины. Если при переноске электрической машины палец находится на выключателе, или происходит подключение к сети (подсоединение к аккумуляторной батарее) электрической машины, у которой выключатель находится в положении «Включено», это может привести к несчастному случаю;

Перед включением электрической машины удалите все регулировочные или гаечные ключи. Ключ, оставленный во вращающейся части электрической машины, может привести к травме оператора;

При работе не пытайтесь дотянуться до чего-либо, всегда сохраняйте устойчивое положение. Это позволит обеспечить лучший контроль над машиной в экстремальных ситуациях.

Одевайтесь надлежащим образом. Не носите свободной одежды или ювелирных изделий. Не приближайте свои волосы, одежду и перчатки к движущимся частям машины. Свободная одежда, ювелирные изделия и длинные волосы могут попасть в движущиеся части.

Если предусмотрены средства для подсоединения к оборудованию для отсоса и сбора пыли, обеспечьте их надлежащее присоединение и эксплуатацию. Сбор пыли может уменьшить опасности, связанные с пылью.

Эксплуатация и уход за электрической машиной

Не перегружайте электрическую машину. Используйте электрическую машину соответствующего назначения для выполнения необходимой вам работы. Лучше и безопаснее выполнять электрической машиной ту работу, на которую она рассчитана;

Не используйте электрическую машину, если ее выключатель неисправен (не включает или не выключает). Любая электрическая машина, которая не может управляться с помощью выключателя, представляет опасность и подлежит ремонту;

Отсоедините вилку от источника питания и (или) аккумуляторную батарею от электрической машины перед выполнением каких-либо регулировок, заменой принадлежностей или помещением ее на хранение. Подобные примитивные меры безопасности уменьшают риск случайного включения электрической машины;

Храните неработающую электрическую машину в месте, недоступном для детей, и не

разрешайте лицам, не знакомым с электрической машиной или настоящей инструкцией, пользоваться электрической машиной. Электрические машины представляют опасность в руках неквалифицированных пользователей;

обеспечьте техническое обслуживание электрических машин. Проверьте электрическую машину на предмет правильности соединения и закрепления движущихся частей, поломки деталей и иных несоответствий, которые могут повлиять на работу. В случае неисправности отремонтируйте электрическую машину перед использованием. Часто несчастные случаи происходят из-за плохого обслуживания электрической машины;

храните режущие инструменты в заточенном и чистом состоянии. Режущие инструменты с острыми кромками, обслуживаемые надлежащим образом, режут заклинивают, ими легче управлять; используйте электрические машины, приспособления, инструмент и пр. в соответствии с настоящей инструкцией с учетом условий и характера выполняемой работы. Использование электрической машины для выполнения операций, на которые она не рассчитана, может создать опасную ситуацию.

Эксплуатация и уход за аккумуляторной машиной

Перезарядку следует осуществлять, используя зарядное устройство, указанное изготовителем. Зарядное устройство, которое годится для одного типа аккумуляторной батареи, может вызвать пожар при использовании другого типа батареи;

Питание машин следует осуществлять только от аккумуляторных батарей, имеющих специальное обозначение. Использование любых других батарей может привести к повреждениям и пожару;

Если аккумуляторная батарея не используется, ее следует хранить отдельно от других металлических предметов, таких, как скрепки для бумаг, монеты, ключи, гвозди, винты и т.п., которые могут замкнуть контактные выводы. Короткое замыкание контактных выводов может вызвать ожоги или пожар;

В случае неправильной эксплуатации жидкий электролит может вытечь из аккумуляторной батареи; избегайте контакта с электролитом. При случайном контакте с электролитом смойте его водой. Если электролит попадет в глаза, кроме промывки глаз водой обратитесь за медицинской помощью. Течь электролита из аккумуляторной батареи может вызвать раздражение или ожоги.

Обслуживание

Обслуживание вашей машины должно быть поручено квалифицированному ремонтнику, использующему только идентичные сменные детали. Это позволит сохранить безопасность вашей машины.

УКАЗАНИЯ МЕР БЕЗОПАСНОСТИ ДЛЯ АККУМУЛЯТОРНЫХ МАШИН И ШУРУПОВЕРТОВ

При выполнении работ, при которых рабочий инструмент может задеть скрытую электропроводку, держите электрическую машину за изолированные ручки. Контакт с находящейся под напряжением проводкой может привести к поражению электрическим током.

Применяйте соответствующие металлоискатели для нахождения скрытых систем снабжения или обращайтесь за справкой в местное предприятие коммунального обслуживания. Контакт с электропроводкой может привести к пожару и поражению электротоком. Повреждение газопровода может привести к взрыву. Повреждение водопровода ведет к нанесению материального ущерба.

При заклинивании рабочего инструмента немедленно выключить электрическую машину. Рабочий инструмент заедает:

- при перегрузке электрической машины или
- при перекашивании обрабатываемой детали.

Держите крепко электрическую машину в руках. При заворачивании/отворачивании винтов/шурупов могут кратковременно возникать высокие реактивные моменты.

Крепление заготовки. Заготовка, установленная в зажимное приспособление или в тиски, удерживается более надежно, чем в Вашей руке.

Только после полной остановки электрической машины ее можно выпускать из рук. Рабочий инструмент может закусить, и это может привести к потере контроля над машиной.

Предотвращайте непреднамеренное включение. Ношение электрической машины с пальцем на клавише выключателя может привести к несчастному случаю. **ПОМНИТЕ:** машина имеет автономный источник питания и поэтому всегда готова к работе. Избегайте случайных нажатий на клавишу выключателя - это может привести к травмам и иным повреждениям.

Не вскрывайте аккумулятор. При этом возникает опасность короткого замыкания.

Защищайте аккумулятор от воздействия высоких температур, сильного солнца и огня. Может возникнуть опасность взрыва.

При повреждении и ненадлежащем использовании аккумулятора может выделяться газ. Обеспечьте приток свежего воздуха и при возникновении жалоб обратитесь к врачу. Газы могут вызвать раздражение дыхательных путей.

При неправильном использовании из аккумулятора может потечь жидкость. Избегайте соприкосновения с ней. При случайном контакте промойте водой с мылом места контакта. Если эта жидкость попадет в глаза, то дополнительно обратитесь за помощью к врачу. Вытекающая аккумуляторная жидкость может привести к раздражению кожи или к ожогам.

Заряжайте аккумуляторы только в зарядных устройствах, рекомендуемых изготовителем. Зарядное устройство, предусмотренное для определенного вида аккумуляторов, может привести к пожарной опасности при использовании его с другими аккумуляторами.

применяйте в машинах только предусмотренные для этого аккумуляторы. Использование других аккумуляторов может привести к травмам и пожарной опасности.

Перевозите машину в фирменной упаковке. Перед упаковкой снимите рабочий инструмент.

Дополнительные правила безопасности. Аккумуляторы.

Запрещено вскрывать аккумулятор.

Не подвергайте аккумуляторы воздействию воды.

Хранить при температуре не выше +50 С.

Заряжайте только при температуре окружающей среды от +5 С до +40 С.

Для зарядки используйте только ЗУ, входящее в комплект поставки.

В экстремальных условиях возможна утечка жидкости из аккумуляторов.

При обнаружении утечки действуйте в следующей последовательности:

- осторожно, с помощью куска ткани, вытрите жидкость с поверхности аккумулятора.

- избегайте контакта жидкости с кожей.

- в случае контакта с кожей немедленно промойте большим количеством воды.

- нейтрализовать действие аккумуляторной жидкости можно с помощью слабо концентрированной кислоты, такой как лимонный сок или уксус. В случае контакта с глазами, обильно промывайте глаза чистой водой не менее 10 мин.

- проконсультируйтесь с врачом.

Огнеопасно! Избегайте короткого замыкания контактов аккумулятора, когда он отсоединен (например, при хранении в кейсе).

- Не сжигайте аккумуляторы

- Не заряжайте поврежденные аккумуляторы.

Используйте Ваше ЗУ только для зарядки аккумуляторов, входящих в комплектность инструмента.

Ваше ЗУ предназначено для использования в сети переменного тока напряжением 220 В и частотой тока 50 Гц. Не подвергайте воздействию воды. Не вскрывайте зарядное устройство.

Не вставляйте в зарядное устройство токопроводящие предметы. Предназначено только для работы в помещении.

4. Технические характеристики

Модель	ED-1201	AD-1201	ED3-1210
Напряжение питания (В)	12	12	12
Частота вращения (Об/мин)	0-600	0-600	0-600
Емкость аккумулятора Li-Ion (А/ч)	1.5	1.5	1.5
Крутящий момент (Н/м.)	15	15	15
Максим. диаметр патрона (мм)	10	10	10
Время зарядки аккумулятора (мин)	60	60	60
Вес (кг.)	0.9	0.9	0.9

Технические характеристики могут быть изменены без предварительного уведомления

Защита двигателя от перегрузок

Защита аккумулятора от перезаряда

Смарт-контроллер в каждой батарее

2-х скоростной планетарный механизм

Самоблокирующийся быстро-зажимной патрон

Светодиодная подсветка рабочей зоны

Регулятор оборотов с лавным пуском

5. Основные органы управления

РИС. 1



1. Сверлильный патрон
2. Переключатель крутящего момента и селектор установки функций («закручивание-откручивание, «Сверление»)
3. Лампа подсветки рабочей зоны
4. Выключатель
5. Аккумуляторная батарея
6. Клавиша переключения направления вращения
7. Противоскользящая накладка на ручке корпуса шуруповерта.

ВНИМАНИЕ! После транспортировки в зимних условиях, перед включением выдержать машину при комнатной температуре до полного высыхания водяного конденсата;

наружные поверхности машины протереть насухо ветошью;

проверить напряжение питания зарядного устройства. Напряжение источника питания должно соответствовать значению, указанному на маркировочной табличке зарядного устройства;

проверить соответствие номинального напряжения питания машины номинальному напряжению батареи. Использование аккумуляторной батареи с более высоким номинальным напряжением может привести к повреждению машины;

5.1 Перед установкой или снятием блока аккумуляторов всегда отключайте инструмент.

- Для снятия блока аккумуляторов, выньте его из инструмента, нажимая на кнопки 4 с обеих сторон блока (рис. А).

- Для вставки блока аккумуляторов, совместите язычок на блоке аккумуляторов с канавкой в корпусе и вставьте его на место.

- Не прилагайте усилий при вставке блока аккумуляторов. Если блок вставляется с трудом, значит, он вставляется неправильно.

5.2 Работа переключателя Вкл./Выкл.

ВНИМАНИЕ: Перед вставкой блока аккумуляторов в инструмент, всегда проверяйте, что выключатель работает надлежащим образом и возвращается в положение "ВЫКЛ", если его отпустить.

Для запуска инструмента просто нажмите выключатель. Скорость инструмента увеличивается при увеличении давления на переключатель. Отпустите выключатель для остановки.

5.3 Действие клавиши переключения направления вращения

Данный инструмент имеет реверсивный переключатель 6 для изменения направления вращения. Нажмите на рычаг реверсивного переключателя с правой стороны для вращения по часовой стрелке или с левой стороны для вращения против часовой стрелки (рис.С). Когда рычаг реверсивного переключателя находится в нейтральном положении, переключатель Вкл/Выкл. нажать нельзя.

РИС.А

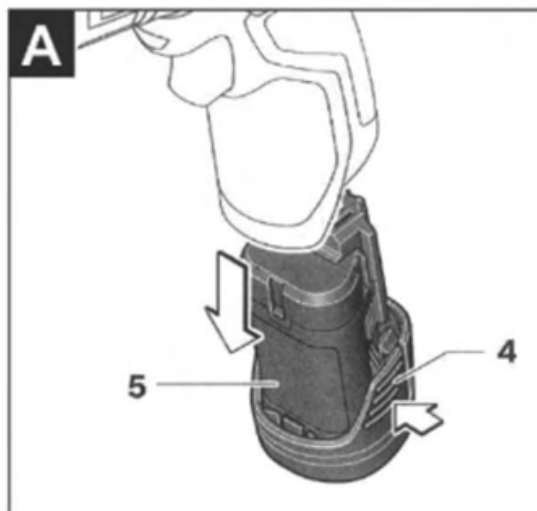


РИС.В

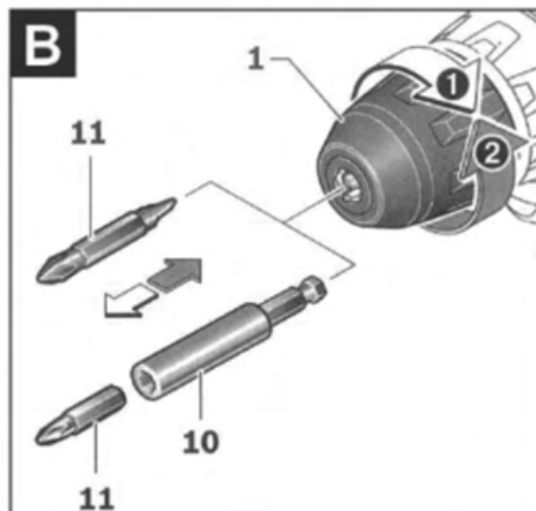
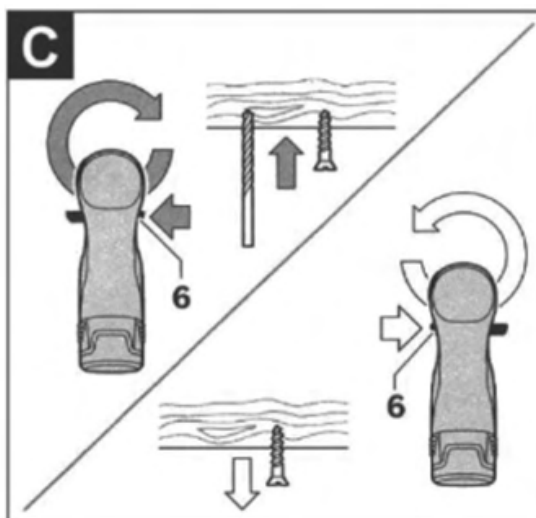


РИС.С



ВНИМАНИЕ:

- Перед работой всегда проверяйте направление вращения.
- Пользуйтесь реверсивным переключателем только после полной остановки машины. Изменение направления вращения до полной остановки машины может привести к ее повреждению.
- Если машина не используется, всегда переводите рычаг реверсивного переключателя в нейтральное положение.

5.4 Изменение скорости (РИС.2)

РИС.2

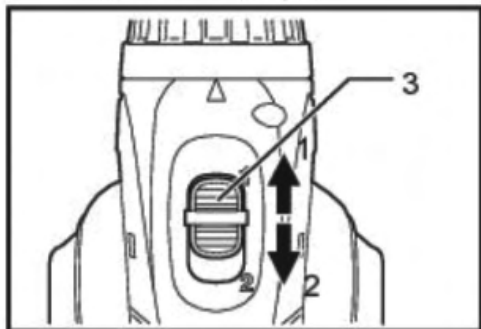
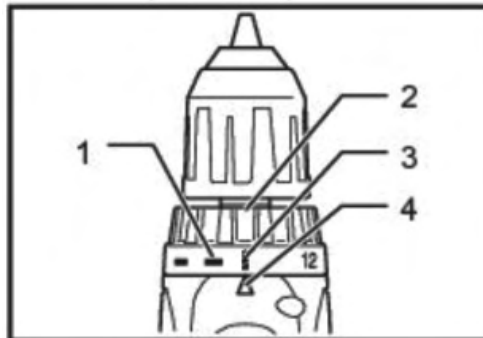


РИС.3



1. Низкая скорость
2. Высокая скорость
3. Переключатель диапазона скоростей

Для изменения скорости, сначала отключите инструмент, затем переведите переключатель диапазона скоростей в положение «2» для высокой скорости, или в положение «1» для низкой скорости. Перед эксплуатацией убедитесь в том, что переключатель диапазона скоростей установлен в надлежащее положение. Используйте надлежащую скорость для Вашей работы.

ВНИМАНИЕ:

- Всегда полностью переводите переключатель диапазона скоростей в правильное положение. Если Вы работаете с инструментом, а переключатель диапазона скоростей находится посередине между обозначениями «1» и «2», это может привести к повреждению машины.
- Не используйте переключатель диапазона скоростей при работающей машине. Это может привести к повреждению машины.

5.5 Регулировка крутящего момента затяжки (РИС.3)

1. Градуировка
2. Регулировочное кольцо установки момента затяжки и режимов работы
3. Отметка усилия затяжки и режима работы (дрель-сверление, шуруповерт-закручивание шурупов)
4. Указатель

Крутящий момент затяжки можно регулировать в 18-23 шага (в зависимости от модели) путем поворота регулировочного кольца, чтобы его градации совмещались с указателем на корпусе инструмента. Крутящий момент затяжки минимален, когда цифра 1 совмещена с указателем, и максимален, когда отметка ' совмещена с указателем. Муфта будет проскальзывать при различных уровнях крутящего момента, установленного на значение от 1 до 18. Муфта спроектирована так, что она не проворачивается у отметки. Перед началом фактической работы, закрутите пробный шуруп в материал или деталь из подобного материала, чтобы определить необходимый крутящий момент затяжки для данного конкретного случая.

Примечание:

- Регулировочное кольцо не блокируется, если указатель расположен посередине между градациями.

5. Монтаж

ВНИМАНИЕ:

- Перед проведением каких-либо работ с инструментом всегда проверяйте, что инструмент отключен, а блок аккумуляторов снят.

Установка или снятие отверточной биты или сверла.

Поверните патрон 1 против часовой стрелки для открытия зажимных кулачков. Вставьте сверло в зажимной патрон как можно глубже. Поверните патрон по часовой стрелке для затяжки сверла. Для монтажа односторонней биты, рекомендуется использовать специальный переходник 10 (рис.В).

6. Эксплуатация

Зарядка аккумулятора.

ВНИМАНИЕ!

Не заряжайте аккумулятор при температуре окружающей среды ниже +5 С и выше +40 С. Рекомендуемая температура зарядки +20-24 С. Не используйте Ваше ЗУ для зарядки других аккумуляторов или инструментов. Аккумулятор нужно заряжать перед первым использованием или когда он не выдает необходимое напряжение питания. При зарядке аккумулятор может незначительно нагреться, это нормально и не указывает на наличие проблем.

Подключите зарядное устройство к сети переменного тока. Загорится зеленая индикаторная лампа. Установите в аккумуляторную батарею 5 штекер зарядного устройства. Когда штекер правильно вставлен, загорится красная индикаторная лампа и начнется процесс зарядки. По окончании процесса зарядки загорится зеленая индикаторная лампа.
После зарядки аккумуляторной батареи отсоедините шнур питания зарядного устройства от источника тока.

Работа в режиме шуруповерта.

ВНИМАНИЕ:

- Установите регулировочное кольцо на соответствующий уровень крутящего момента для Вашей работы. Вставьте острие отверточной биты в головку винта и надавите на инструмент. Включите инструмент на медленной скорости, затем постепенно увеличивайте ее. Отпустите переключатель Вкл./Выкл., как только сработает сцепление.

- Следите за тем, чтобы отверточная бита вставлялась прямо в головку винта, иначе можно повредить винт и/или биту.

Примечания:

- При работе с винтами для дерева, высверлите пробные отверстия для упрощения работы и предотвращения разламывания деревянной рабочей детали.

Сверление

Сначала поверните регулировочное кольцо, чтобы совместить указатель с отметкой «сверление».

Затем сделайте следующее:

Сверление в дереве

При сверлении в дереве, наилучшие результаты достигаются при использовании сверл для дерева, снабженных направляющим винтом. Направляющий винт упрощает сверление, удерживая сверло в обрабатываемой детали.

Сверление металла

Для предотвращения скольжения сверла, при начале сверления, сделайте углубление с помощью кернера и молотка в точке сверления.

Вставьте острие сверла в выемку и начните медленно сверлить, постепенно увеличивая скорость.

При сверлении металлов используйте смазку для резки. Исключения составляют чугун и латунь, которые надо сверлить насухо.

ВНИМАНИЕ:

- * Чрезмерное нажатие на инструмент не ускорит сверление, а наоборот только повредит наконечник Вашего сверла, снизит производительность инструмента и сократит срок его службы.

- * Когда просверливаемое отверстие становится сквозным, на инструмент/сверло воздействует значительная сила. Крепко удерживайте инструмент и будьте осторожны, когда сверло начинает проходить сквозь обрабатываемую деталь.

- Застрявшее сверло можно вынуть путем простого переключения реверсивного переключателя на обратное вращение задним ходом. Однако инструмент может провернуться в обратном направлении слишком быстро, если его не держать крепко.

- Всегда закрепляйте небольшие обрабатываемые детали в тисках или подобном зажимном устройстве во избежание травмы.

- Если инструмент эксплуатировался непрерывно до разряда блока аккумуляторов, сделайте перерыв на 5 минут перед началом работы с заряженным аккумулятором.

Неисправности и методы их устранения

При возникновении прочих неисправностей при работе инструмента необходимо обратиться в сервисный центр, указанный в гарантийном талоне.

ВНИМАНИЕ! ПРИСТУПАЯ К РАБОТЕ, СЛЕДУЕТ:

- проверить надежность фиксации рабочего инструмента;

- перед началом работы надеть защитные приспособления поместить машину в удобное положение;

- опробовать работу машины на холостом ходу в течении 10...15 секунд (также после замены сверла или биты).

6. Возможные неисправности

Неисправность	Вероятная причина	Способ устранения
Машина не включается.	Разряжена аккумуляторная батарея.	Зарядить батарею.
	Неисправен выключатель.	Обратиться в сервисный центр.
	Неисправна аккумуляторная батарея.	
	Неисправен электродвигатель.	
Аккумуляторная батарея не заряжается.	Неисправна аккумуляторная батарея. Неисправно зарядное устройство.	
Повышенный шум редуктора.	Износ/поломка деталей редуктора.	
Аккумуляторная батарея не набирает необходимый заряд.	Снижение ёмкости батареи.	Заменить батарею.
	Неисправность зарядного устройства.	Обратиться в сервисный центр.

7. Хранение и техническое обслуживание

Ваша машина предназначена для использования в течение долгого времени при минимально необходимом уходе за ним. Тем не менее, срок службы машины зависит от правильного обращения с ним.

Техническое обслуживание заключается в следующем:

проверять исправность кабеля питания зарядного устройства;

очищать машину от пыли и загрязнений.

машину следует хранить в кейсе в сухом отапливаемом помещении. При обнаружении каких-либо неисправностей или изменений в работе машины необходимо прекратить работу и обратиться в сервисный центр, указанный в гарантийном свидетельстве.

8. Гарантийные обязательства

Внимание: гарантия действительна только на территории РФ.

Сервисному обслуживанию по данному талону подлежит оборудование «EDON»

Приобретая товар, указанный в настоящем талоне, Покупатель признал, что данный товар соответствует конкретным целям, для которых данный товар покупается, а также соответствует стандартным требованиям, предъявляемым к товару такого рода и пригоден для использования по назначению. Товар получен в исправном состоянии в полной комплектации. На момент продажи видимых повреждений не обнаружено. **Срок службы машины составляет 3 года.**

1. Претензии по качеству оборудования принимаются **в пределах гарантийного срока 12 месяцев**, и 6 месяцев по качеству аккумуляторов, входящих в комплектацию изделий, «EDON», начиная с даты розничной продажи. Ремонт, или замена деталей, преждевременно вышедших из строя по вине предприятия-изготовителя, осуществляется бесплатно при условии соблюдения требования по монтажу, эксплуатации и периодическому техническому обслуживанию.

2. Для сервисного ремонта оборудования, приобретенного юридическим лицом, необходимо предоставить акт рекламации, подписанный руководителем организации, время и место составления акта; фамилия лиц, составивших акт, и их должности; время ввода оборудования (изделия) в эксплуатацию; условия эксплуатации (характер выполняемых работ, количество отработанных часов до выявления неисправности, перечень проводимых регламентных работ (если они предусмотрены)).

3. Прием изделия в гарантийную мастерскую производится только при наличии всех комплектующих.

4. Предметом гарантии не является неполная комплектация, которая могла быть обнаружена при продаже изделия. Претензии от третьих лиц не принимаются.

5. Гарантийные обязательства не распространяются на расходные материалы.

Гарантийные обязательства не распространяются на изделия:

- имеющие повреждения, вызванные различными внешними воздействиями (механическим), а также проникновением внутрь изделия посторонних предметов (насекомых, животных, пыли) или жидкостей;
- подвергавшиеся вскрытию, ремонту или модификации вне уполномоченной сервисной мастерской;
- имеющие повреждения защитной пломбы (наклейки);
- использовавшиеся не по назначению;
- поврежденные в результате подключения к сети с несоответствующими номинальными параметрами заявленными в руководстве по эксплуатации.
- использования принадлежностей, расходных материалов, запчастей, не рекомендованных или не одобренных производителем;
- на оборудование, не проходившее в процессе эксплуатации (хранения) соответствующее техобслуживание и/или профилактические работы, в сроки, указанные в руководстве по эксплуатации (если таковые имеются);
- на неисправности, возникшие в результате перегрузки оборудования повлекшей выход из строя электродвигателя, генератора или других узлов и деталей;
- на оборудование с удаленным, стертым, или измененным заводским номером, а также если данные на оборудовании не соответствуют данным в талоне.

Покупателю может быть отказано в гарантийном ремонте если:

- гарантийный талон утрачен или в него были внесены несанкционированные дополнения, исправления, подчистки.
- невозможно идентифицировать серийный номер оборудования, печать, или дату продажи на гарантийном талоне.

Центральная диспетчерская сервисная служба +7 495 972-94-59

Адрес ближайшего к Вам сервисного центра можно найти на нашем сайте: www.redbo.ru



ГАРАНТИЙНЫЙ ТАЛОН

Модель: ED-1201 / AD-1201 / ED3-1210

Модель:	Заводской серийный номер:
Название фирмы продавца:	Печать продавца: М. П.
Дата продажи:	Подпись продавца:
«ФИО» покупателя	
Отметка о ремонте:	
Отметка о ремонте:	
Отметка о ремонте:	

Единая служба технической поддержки;
Электронная почта: redbo-tech@mail.ru
Сайт: www.redbo.ru
Телефон/офис: 8-495-972-94-59.

Шановний користувачу

Компанія EDON висловлює Вам вдячність за придбання нашого електроінструменту.

Вироби під торговою маркою EDON постійно удосконалюються і покращуються.

Тому технічні характеристики і дизайн можуть змінюватися без попереднього повідомлення. У зв'язку з цим, приносимо Вам вибачення за можливі незручності.

При покупці вимагайте перевірку інструменту на працездатність.

Збережіть цей посібник і зробіть його доступним іншим користувачам інструменту.

1. Загальні вказівки

Дриль-шуруповерт акумуляторна (далі по тексту - "машина") призначена для загортання / відвернення гвинтів і шурупів, свердління отверстий в різних конструкційних матеріалах (в тому числі метали, дереві, пластмасі і т.п.).

Машина призначена для експлуатації при температурі навколишнього середовища від 0 ° С до + 40 ° С, відносної вологості повітря не більше 80% і відсутності прямого впливу атмосферних опадів і надмірної запиленості повітря.

Цей посібник містить відомості і вимоги, необхідні і достатні для надійної, ефективної і безпечної експлуатації машини. У зв'язку з постійною діяльністю щодо вдосконалення машини виробник залишає за собою право вносити в її конструкцію незначні зміни, які не відображені в цьому посібнику і не впливають на ефективну і безпечну роботу машини.

Машина призначена для побутового застосування. Машина має сучасний дизайн, проста і надійна в роботі, зручна в обслуговуванні і прослужить Вам довгий час.

2. Функціональні особливості шуруповертів

Функція / Модель	ED-1201	AD-1201	ED3-1210
Шуруповерт	є	є	є
Дриль	є	є	є
Перфоратор (удар з обертанням патрона)	немає	немає	немає
Швидкознімний патрон	немає	немає	немає
Шестигранний шпindel-наконечник для біт	немає	немає	немає
Підсвічування зони	є	є	є
Рівень заряду акумулятора на шуруповерт	немає	немає	немає

УВАГА! Комплектація інструменту може змінюватися заводом-виробником без попереднього повідомлення.

3. Вимоги безпеки

УВАГА! Прочитайте всі попередження та вказівки заходів безпеки і всі інструкції. Невиконання попереджень та інструкцій може призвести до ураження електричним струмом, пожежі та (або) серйозних пошкоджень. Збережіть всі попередження та інструкції для того, щоб можна було звертатися до них в подальшому.

Термін "електрична машина" використовується для позначення Вашої машини з електричним приводом, що працює від мережі (забезпеченого шнуром) або машини з електричним приводом, що працює від акумуляторних батарей.

Безпека робочого місця

Тримайте робоче місце в чистоті і забезпечте його хороше освітлення. Якщо робоче місце захаращене або погано освітлене, це може призвести до нещасних випадків.

Не слід експлуатувати електричні машини в вибухонебезпечному середовищі (наприклад, в присутності займистих рідин, газів або пилу). Машини з електричним приводом є джерела

виникнення вогню, які можуть стати причиною пожежі пилу або парів.

Тримайте дітей та сторонніх осіб подалі від електричної машини в процесі її роботи.

Відволікання уваги може привести Вас до втрати контролю над машиною.

електрична безпека

Вилки штепсельні електричних машин (зарядних пристроїв) повинні підходити під розетки. Ніколи не змінюйте конструкцію штекера якимось чином. Не використовуйте будь-яких перехідників для машин з заземлюючим проводом. Використання оригінальних вилок і відповідних розеток зменшить ризик ураження електричним струмом;

Не допускайте контакту тіла з заземленими поверхнями, такими, як труби, радіатори, плити та холодильники. Існує підвищений ризик ураження електричним струмом, якщо Ваше тіло заземлене.

Не піддавайте електричні машини під дощем і не тримайте їх у вологих умовах. Вода, потрапляючи в електричну машину, збільшує ризик ураження електричним током.

Звертайтеся акуратно з шнуром. Ніколи не використовуйте шнур для переносу, перетягування електричної машини (зарядного пристрою) і витягування вилки з розетки. Уникайте впливу на електричний шнур тепла, масла, гострих кромek або рухомих частин. Пошкоджені або скорочення шнури збільшують ризик ураження електричним струмом;

При експлуатації електричної машини (зарядного пристрою) на відкритому повітрі користуйтеся подовжувачем, придатним для використання на відкритому повітрі. Застосування шнура, призначеного для використання на відкритому повітрі, зменшує ризик ураження електричним струмом;

Якщо не можна уникнути експлуатації електричної машини (зарядного пристрою) у вологих умовах, використовуйте джерело живлення, забезпечений пристроєм захисного відключення (УЗО).

Використання УЗО зменшує ризик ураження електричним струмом.

Особиста безпека

Будьте пильні, стежте за своїми діями і керуйтеся здоровим глуздом при експлуатації електричних машин. Не використовуйте електричні машинами, якщо Ви втомилися, перебуваєте під дією наркотичних засобів, алкоголю або лікарських препаратів. Короткочасна втрата концентрації уваги при експлуатації електричних машин може привести до серйозних пошкоджень.

Користуйтеся індивідуальними захисними засобами. Завжди надягайте засоби для захисту очей.

Захисні засоби - такі, як маски, що оберігають від пилу, рукавички, взуття, що оберігає від ковзання, каска або засоби захисту вух, використовувати у відповідних умовах - зменшать небезпеку отримання пошкоджень.

Не допускайте випадкового включення машин. Забезпечте, щоб вимикач знаходився в положенні «Відключено» перед підключенням до мережі і (або) до акумуляторної батареї і при підйомі і перенесенні електричної машини. Якщо при перенесенні електричної машини палець знаходиться на вимикачі, або відбувається підключення до мережі (підключення до акумуляторної батареї) електричної машини, у якій вимикач знаходиться в положенні «Включено», це може призвести до нещасного випадку;

Перед включенням електричної машини видаліть всі регульовальні або гайкові ключі. Ключ, залишений під обертами частини електричної машини, може привести до травми оператора;

При роботі не намагайтеся дотягнутися до чогось, завжди зберігайте стійке положення. Це дозволить забезпечити кращий контроль над машиною в екстремальних ситуаціях.

Одягайтеся належним чином. Не носіть вільної одягу або ювелірних виробів. Не тримайте своє волосся, одяг і рукавички біля рухомих частин машини. Вільний одяг, ювелірні вироби і довге волосся можуть потрапити в рухомі частини. Якщо передбачені кошти для під'єднання до обладнання для відсмоктування і збору пилу, забезпечте їх належне приєднання і експлуатацію. Збір пилу може зменшити ризики, пов'язані з пилом.

Експлуатація та догляд за електричною машиною

Не перевантажуйте електричну машину. Використовуйте електричну машину відповідного призначення для виконання необхідної вам роботи. Краще і безпечніше виконувати електричною машиною ту роботу, на яку вона розрахована;

Не використовуйте електричну машину, якщо її вимикач несправний (не включає або не вимикає). Будь-яка електрична машина, яка не може управлятися за допомогою вимикача, становить небезпеку і підлягає ремонту;

Від'єднайте вилку від джерела живлення і (або) акумуляторну батарею від електричної машини перед виконанням будь-яких регулювань, зміни додаткового обладнання чи невикористання її.

Подібні примітивні заходи безпеки зменшують ризик випадкового включення електричної машини;

Зберігайте непрацюючу електричну машину в місці, недоступному для дітей, і не дозволяйте особам, що не знайомі з електричною машиною або цією Інструкцією, користуватися електричною машиною. Електричні машини становлять небезпеку в руках некваліфікованих користувачів; забезпечте технічне обслуговування електричних машин. Перевірте електричну машину на предмет правильності з'єднання і закріплення рухомих частин, поломки деталей і інших невідповідностей, які можуть вплинути на роботу. У разі несправності відремонтуйте електричну машину перед використанням. Часто нещасні випадки відбуваються через погане обслуговування електричної машини;

зберігайте ріжучі інструменти нагостреними та в чистоті. Ріжучі інструменти з гострими краями, які обслуговуються належним чином, рідше заклинивають, ними легше управляти;

використовуйте електричні машини, пристосування, інструмент та ін. відповідно до цієї інструкції з урахуванням умов і характеру виконуваної роботи. Використання електричної машини для виконання операцій, на які вона не розрахована, може створити небезпечну ситуацію.

Експлуатація та догляд за акумуляторною машиною

Перезарядку слід здійснювати, використовуючи зарядний пристрій, вказаний виробником. Зарядний пристрій, який годиться для одного типу акумуляторної батареї, може призвести до виникнення пожежі при використанні іншого типу батареї;

Харчування машин слід здійснювати тільки від акумуляторних батарей, що мають спеціальне позначення. Використання будь-яких інших батарей може призвести до пошкоджень і пожежі;

Якщо акумуляторна батарея не використовується, її слід зберігати окремо від інших металевих предметів, таких, як скріпки для паперів, монети, ключі, цвяхи, гвинти і т.п., які можуть замкнути контактні висновки. Коротке замикання контактних висновків може викликати опіки або пожежу;

У разі неправильної експлуатації рідкий електроліт може витікати з акумуляторної батареї; уникайте контакту з електролітом. При випадковому контакті з електролітом змийте його водою. Якщо електроліт потрапить в очі, крім промивання очей водою зверніться за медичною допомогою. Тіч електроліту з акумуляторної батареї може викликати роздратування або опіки.

обслуговування

Обслуговування вашої машини повинно бути доручено кваліфікованому ремонтникові, котрі використовують тільки ідентичні змінні деталі. Це дозволить зберегти безпеку вашої машини.

ВКАЗІВКИ ЗАХОДІВ БЕЗПЕКИ ДЛЯ акумуляторних МАШИН І шуруповертів

При виконанні робіт, при яких робочий інструмент може зачепити приховану електропроводку, тримайте електричну машину за ізольовані ручки. Контакт з розташованою під напругою проводкою може призвести до ураження електричним струмом.

Застосовуйте відповідні металопрошукачі для знаходження прихованих систем постачання або звертайтеся за довідкою в місцеве підприємство комунального обслуговування. Контакт з електропроводкою може призвести до пожежі та ураження електричним струмом. Пошкодження газопроводу може привести до вибуху. Пошкодження водопроводу веде до нанесення матеріальних збитків.

При заклинюванні робочого інструмента негайно вимкнути електричну машину. Робочий інструмент заїдає:

- при перевантаженні електричної машини або
- при перекошуванні оброблюваної деталі.

Тримайте міцно електричну машину в руках. При загвинчування / відверненні гвинтів / шурупів можуть короткочасно виникати високі реактивні моменти. Кріплення заготовки. Заготівля, встановлена в затискні пристрої або в лещата, утримується надійніше, ніж у Вашій руці.

Тільки після повної зупинки електричної машини її можна випускати з рук. Робочий інструмент може закусити, і це може привести до втрати контролю над машиною.

Запобігайте ненавмисного включення. Носіння електричної машини з пальцем на клавіші вимикача може привести до нещасного випадку. ПАМ'ЯТАЙТЕ: машина має автономне джерело живлення і тому завжди готова до роботи. Уникайте випадкових натискань на клавішу вимикача - це може призвести до травм і іншим ушкодженням.

Не намагайтесь відкрити батарею. При цьому виникає небезпека короткого замикання.

Захищайте акумулятор від впливу високих температур, сильного сонця і вогню. Може виникнути небезпека вибуху.

При пошкодженні і неналежному використанні акумулятора може виділитися газ. Забезпечте приплив свіжого повітря і при виникненні скарг зверніться до лікаря. Гази можуть викликати подразнення дихальних шляхів.

При неправильному використанні з акумулятора може потекти рідина. Не контактуйте з нею. При

випадковому контакті промити водою з милом місця контакту. Якщо ця рідина потрапить в очі, то додатково зверніться за допомогою до лікаря. Впливає акумуляторна рідина може привести до подразнення шкіри або до опіків.

Заряджайте акумулятори тільки у зарядному пристрою, рекомендованому виробником. Зарядний пристрій, передбачений для певного виду акумуляторів, може призвести до пожежної небезпеки при використанні його з іншими акумуляторами.

застосовуйте в машинах тільки передбачені для цього акумулятори. Використання інших акумуляторів може призвести до травм і пожежної небезпеки.

Перевозите машину у фірмовій упаковці. Перед упаковкою зніміть робочий інструмент.

Додаткові правила безпеки. Акумулятори.

Заборонено розкривати акумулятор.

Ніколи не піддавайте акумулятори впливу води.

Зберігати при температурі не вище +50 С.

Заряджайте тільки при температурі навколишнього середовища від +5 С до +40 С.

Для зарядки використовуйте тільки ЗП, що входить в комплект поставки.

В екстремальних умовах може бути витік рідини з акумуляторів.

При виявленні витоку дійте в наступній послідовності:

- обережно, за допомогою шматка тканини, витріть місце з поверхні акумулятора.
- уникайте контакту рідини зі шкірою.

- в разі контакту зі шкірою негайно промити великою кількістю води.

- нейтралізувати дію акумуляторної рідини можна за допомогою слабо концентрованої кислоти, такої як лимонний сік або оцет. У разі контакту з очима, рясно промивайте очі чистою водою не менше 10 хв.

- проконсультуйтеся з лікарем.

Вогненебезпечно! Уникайте короткого замикання контактів акумулятора, коли він від'єднаний (наприклад, при зберіганні в кейсі).

- Не спалюйте акумулятори

- Не заряджайте пошкоджені акумулятори.

Використовуйте Ваше ЗП тільки для зарядки акумуляторів, що входять в комплектність інструменту.

Ваше ЗП призначене для використання в мережі змінного струму напругою 220 В і частотою струму 50 Гц. Не піддавайте впливу води. Не відкривайте зарядний пристрій.

Не вставляйте в зарядний пристрій струмопровідні предмети Призначено тільки для роботи в приміщенні.

4. Технические характеристики

Модель	ED-1201	AD-1201	ED3-1210
Напруга живлення (В)	12	12	12
Частота обертання (об / хв)	0-600	0-600	0-600
Ємність акумулятора Li-Ion (А / ч)	1,5	1,5	1,5
Крутний момент (Н / м.)	15	15	15
Максим. діаметр патрона (мм)	10	10	10
Час зарядки акумулятора (хв)	60	60	60
Вага, кг.)	0.9	0.9	0.9

Технічні характеристики можуть бути змінені без попереднього повідомлення

Захист двигуна від перевантажень

Захист акумулятора від перезарядження

Смарт-контролер в кожній батареї

2-х швидкісний планетарний механізм

Самоблокується швидко-патрон

Світлодіодне підсвічування робочої зони

Регулятор оборотів з плавним пуском

5. Основні органи управління



1. Свердильний патрон
2. Перемикач крутного моменту і селектор установки функцій («закручування-відкручування,« Свердління »)
3. Перемикач діапазону швидкостей
4. Кнопка розблокування батареї
5. Акумуляторна батарея
6. Перемикач напрямку обертання
7. Вимикач.

УВАГА! Після транспортування в зимових умовах, перед включенням витримати машину при кімнатній температурі до повного висихання водяного конденсату;
 зовнішні поверхні машини протерти насухо дрантям;
 перевірити напруга живлення зарядного пристрою. Напруга джерела живлення повинна відповідати значенням, вказаним на маркувальній табличці зарядного пристрою;
 перевірити відповідність номінального напруги живлення машини номінальній напрузі батареї.
 Використання акумуляторної батареї з більш високою номінальною напругою може призвести до пошкодження машини;

5.1 Перед встановленням або зняттям блоку акумуляторів завжди відключайте інструмент.

- Для зняття блоку акумуляторів, вийміть його з інструменту, натискаючи на кнопки 4 по обидва боки блоку (рис. А).
- Для вставки блоку акумуляторів, вирівняйте язичок на блоці акумуляторів з канавкою в корпусі і вставте його на місце.
- Не застосовуйте силу при вставці блоку акумуляторів. Якщо блок вставляється насилу, значить, він вставляється неправильно.

5.2 Робота перемикача Вкл. / Викл.

УВАГА: Перед вставкою блоку акумуляторів в інструмент, завжди перевіряйте, що вимикач 7

працює належним чином і повертається в положення "OFF", якщо його відпустити.
Для запуску інструменту просто натисніть вимикач. Швидкість інструменту збільшується при збільшенні тиску на перемикач. Відпустіть вимикач для зупинки.
5.3 Дія клавіші перемикачання напрямку обертання

Даний інструмент має реверсивний перемикач 6 для зміни напрямку обертання. Натисніть на важіль реверсивного перемикача з правого боку для обертання за годинниковою стрілкою або з лівого боку для обертання проти годинникової стрілки (мал.С). Коли важіль реверсивного перемикача знаходиться в нейтральному положенні, перемикач On / Off. натиснути не можна.

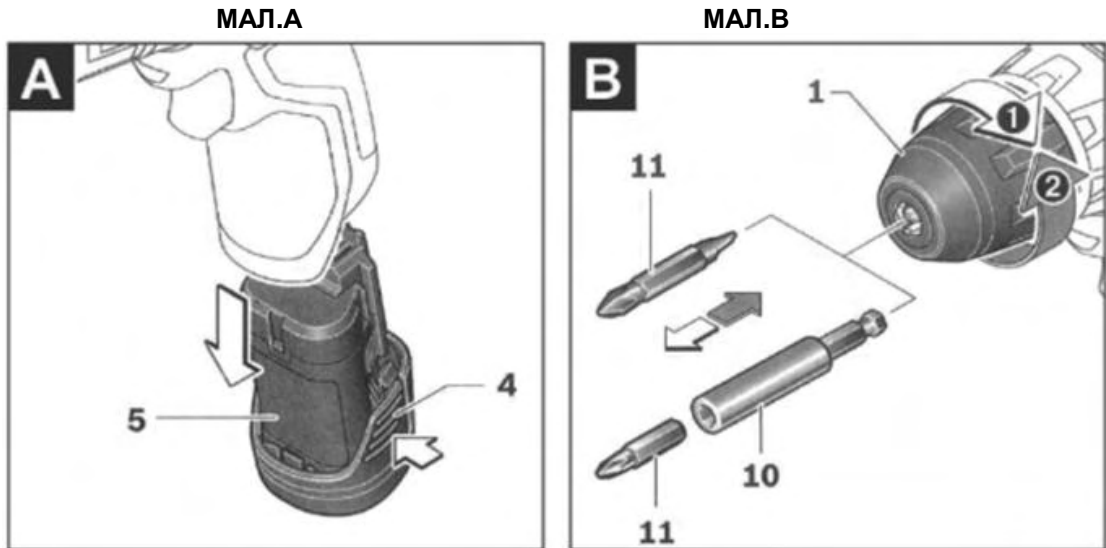
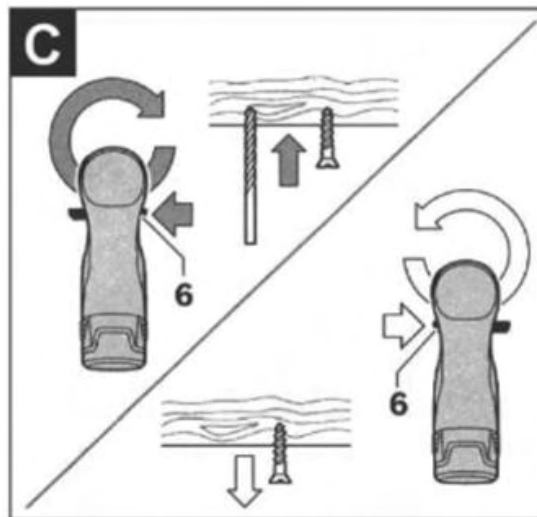


РИС.С

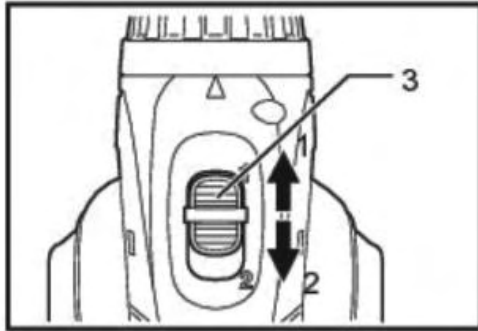


УВАГА:

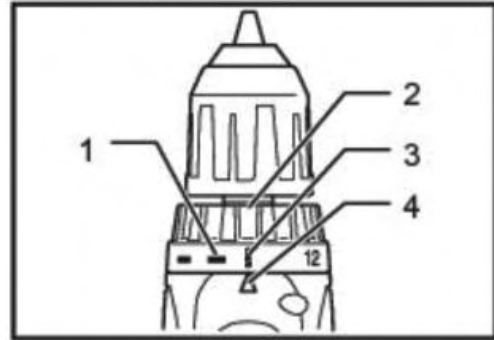
- Перед роботою завжди перевіряйте напрямок обертання.
- Користуйтеся реверсивним перемикачем тільки після повної зупинки машини. Зміна напрямку обертання до повної зупинки машини може призвести до її пошкодження.
- Якщо машина не використовується, завжди переводите важіль реверсивного перемикача в нейтральне положення.

5.4 Зміна швидкості (мал.2)

мал.2



мал.3



Навчіться вимовляти

1. Низька швидкість
2. Висока швидкість
3. Перемикач діапазону швидкостей

Для зміни швидкості, спочатку відключіть інструмент, потім переведіть перемикач діапазону швидкостей в положення «2» для високої швидкості, або в положення «1» для низької швидкості. Перед експлуатацією переконайтеся в тому, що перемикач діапазону швидкостей встановлений в належний стан. Використовуйте належну швидкість для Вашої роботи.

УВАГА:

- Завжди повністю переводите перемикач діапазону швидкостей в правильне положення. Якщо Ви працюєте з інструментом, а перемикач діапазону швидкостей знаходиться посередині між позначками «1» і «2», це може привести до пошкодження машини.
- Не використовуйте перемикач діапазону швидкостей при працюючій машині. Це може привести до пошкодження машини.

5.5 Регулювання крутного моменту затягування (рис.3)

1. Градування
2. Регульовальне кільце установки моменту затягування і режимів роботи
3. Відмітка зусилля затяжки і режиму роботи (дріль-свердління, шурупверт-закручування шурупів)
4. Вказівник

Крутний момент затягування можна регулювати в 18-23 кроку (в залежності від моделі) шляхом повороту регульовального кільця, щоб його градації поєднувалися з покажчиком на корпусі інструменту. Крутний момент затягування мінімальний, коли цифра 1 поєднана з покажчиком, і максимальний, коли позначка ' поєднана з покажчиком. Муфта буде прослизати при різних рівнях крутного моменту, встановленого на значення від 1 до 18. муфта спроектована так, що вона не повертається біля позначки. Перед початком фактичної роботи, закрутіть пробний шуруп в матеріал або деталь з подібного матеріалу, щоб визначити необхідний крутний момент затягування для даного конкретного випадку. Примітка:

- Регульовальне кільце не блокується, якщо покажчик розташований посередині між градаціями.

5. Монтаж

УВАГА:

- Перед проведенням будь-яких робіт з інструментом завжди перевіряйте, що інструмент відключений, а блок акумуляторів знятий.

Установка або зняття викрутки біти або свердла.

Поверніть патрон 1 проти годинникової стрілки для відкриття затискних кулачків. Вставте свердло в патрон якомога глибше. Поверніть патрон за годинниковою стрілкою для затягування свердла. Для монтажу односторонньої біти, рекомендується використовувати спеціальний перехідник 10 (рис.В).

6. Експлуатація

Зарядка акумулятора.

УВАГА!

Не заряджайте акумулятор при температурі навколишнього середовища нижче +5 С і вище +40 С. Рекомендована температура зарядки + 20-24 С. Не використовуйте Ваше ЗП для зарядки інших

акумуляторів або інструментів. Акумулятор потрібно заряджати перед першим використанням або коли він не видає необхідну напругу живлення. При зарядці акумулятор може незначно нагрітися, це нормально і не свідчить про наявність проблем.

Підключіть зарядний пристрій до мережі змінного струму. Загориться зелена індикаторна лампа. Встановіть в акумуляторну батарею 5 штекер зарядного пристрою. Коли штекер правильно вставлений, загориться червона індикаторна лампа і почнеться процес зарядки. Після закінчення процесу зарядки загориться зелена індикаторна лампа.

Після зарядки акумуляторної батареї від'єднайте шнур живлення зарядного пристрою від джерела струму.

Робота в режимі шурупверта.

УВАГА:

- Встановіть регульовальне кільце на відповідний рівень крутного моменту для Вашої роботи. Вставте вістря викрутки біти в головку гвинта і натисніть на інструмент. Увімкніть інструмент на повільній швидкості, потім поступово збільшуйте її. Відпустіть перемикач Вкл. / Викл., Як тільки спрацює зчеплення.

- Чи стежите за тим, щоб викрутки біта вставлялася прямо в головку гвинта, інакше можна пошкодити гвинт і / або біту.

Примітки:

- При роботі з гвинтами для дерева, висвердлите пробні отвори для спрощення роботи і запобігання розламування дерев'яної робочої деталі.

свердління

Спочатку поверніть регульовальне кільце, щоб поєднати покажчик з відміткою «свердління».

Потім виконайте наступне:

Свердління в дереві

При свердлінні в дереві, найкращі результати досягаються при використанні свердел для дерева, забезпечених напрямних гвинтом. Направляючий гвинт спрощує свердління, утримуючи свердло в оброблюваній деталі.

Свердління металу

Для запобігання ковзання свердла, при початку свердління, зробіть поглиблення за допомогою кернера і молотка в точці свердління.

Вставте вістря свердла в виїмку і почніть повільно свердлити, поступово збільшуючи швидкість. При свердлінні металів використовуйте мастило для різання. Виняток становлять чавун і латунь, які треба свердлити насухо.

УВАГА:

- * Надмірне натискання на інструмент не прискорить свердління, а навпаки тільки зашкодить наконечник Вашого свердла, знизить продуктивність інструменту і скоротить термін його служби.

- * Коли просвердлюють отвір стає наскрізним, на інструмент / свердло впливає значна сила. Міцно утримуйте інструмент і будьте обережні, коли свердло починає проходити крізь оброблювану деталь.

- застрягнувши свердло можна вийняти шляхом простого перемикачання реверсивного перемикача на зворотне обертання заднім ходом. Однак інструмент може повернутися в зворотному напрямку занадто швидко, якщо його не тримати міцно.

- Завжди закріплюйте невеликі оброблювані деталі в лещатах або подібному затискному пристрої, щоб уникнути травми.

- Якщо інструмент експлуатувався безперервно до розряду блоку акумуляторів, зробіть перерву на 5 хвилин перед початком роботи з зарядженим акумулятором. Несправності та засоби їх усунення При виникненні інших несправностей при роботі інструмента необхідно звернутися в сервісний центр, зазначений в гарантійному талоні.

УВАГА! Приступаючи до роботи, СЛІД:

перевірити надійність фіксації робочого інструменту;

перед початком роботи надіти захисні пристосування помістити машину в зручне положення;

випробувати роботу машини на холостому ходу протягом 10 ... 15 секунд (також після заміни свердла або біти).

6. Возможные неисправности

Неисправность	Імовірна причина	Рішення
Машина не включається.	Розряджена акумуляторна батарея.	Зарядити батарею.
	Несправний вимикач.	Звернутися в сервісний центр.
	Несправна акумуляторна батарея.	
	Несправний електродвигун.	
Акумуляторна батарея не заряджається належним.	Несправна акумуляторна батарея.	
Підвищений шум редуктора.	Несправне зарядний пристрій.	
Акумуляторна батарея не набирає необхідний заряд.	Знос / поломка деталей редуктора.	Замінити батарею.
	Зниження ємності батареї.	Звернутися в сервісний центр.

7. Зберігання і технічне обслуговування

Ваша машина призначена для використання протягом довгого часу при мінімально необхідному догляді за ним. Проте, термін служби машини залежить від правильного поводження з ним. Технічне обслуговування полягає в наступному:
перевіряти справність кабелю живлення зарядного пристрою;
очищати машину від пилу і забруднень.

машину слід зберігати в кейсі в сухому опалювальному приміщенні. При виявленні будь-яких несправностей або змін в роботі машини необхідно припинити роботу і звернутися в сервісний центр, зазначений в гарантійному свідоцтві.

8. Гарантійні зобов'язання Сервісного обслуговування по даному талону підлягає обладнання «EDON»

Купуючи товар, вказаний в цьому талоні, Покупець визнав, що даний товар відповідає конкретним цілям, для яких даний товар купується, а також відповідає стандартним вимогам, що пред'являються до товару такого роду і придатний для використання за призначенням. Товар отриманий в справному стані в повній комплектації. На момент продажу видимих пошкоджень не виявлено. Термін служби машини становить 3 роки.

1. Претензії за якістю обладнання приймаються в межах гарантійного терміну 12 місяців, і 6 місяців за якістю акумуляторів, що входять в комплектацію виробів, «EDON», починаючи з дати роздрібного продажу. Ремонт, або заміна деталей, передчасно вийшли з ладу з вини підприємства-виробника, здійснюється безкоштовно за умови дотримання вимоги по монтажу, експлуатації та періодичного технічного обслуговування.

2. Для сервісного ремонту обладнання, придбаного юридичною особою, необхідно надати акт рекламації, підписаний керівником організації, час і місце складання акту; прізвище осіб, що склали акт, і їх посади; час введення обладнання (вироби) в експлуатацію; умови експлуатації (характер виконуваних робіт, кількість відпрацьованих годин до виявлення несправності, перелік проведених регламентних робіт (якщо вони передбачені)).

3. Прийом виробу в гарантійну майстерню проводиться тільки при наявності всіх комплектуючих.

4. Предметом гарантії не є неповна комплектація, яка могла бути виявлена при продажу виробу. Претензії від третіх осіб не приймаються.

5. Гарантійні зобов'язання не поширюються на витратні матеріали.

Гарантійні зобов'язання не поширюються на вироби:

- мають пошкодження, викликані різними зовнішніми впливами (механічним), а так само проникненням всередину виробу сторонніх предметів (комах, тварин, пилу) або рідин;
- піддавались розкриттю, ремонту або модифікації поза уповноваженою сервісною майстерні;
- мають пошкодження захисної пломби (наклейки);
- що використовувалися не за призначенням;
- пошкоджені в результаті підключення до мережі з невідповідними номінальними параметрами заявленими в керівництві по експлуатації.
- використання приладдя, витратних матеріалів, запчастин, які не рекомендовані або не схвалені виробником;
- на обладнання, яке не проходило в процесі експлуатації (зберігання) відповідне техобслуговування і / або профілактичні роботи, в терміни, зазначені в керівництві з експлуатації (якщо такі є);
- на несправності, що виникли в результаті перевантаження устаткування спричинило вихід з ладу електродвигуна, генератора або інших вузлів і деталей;
- на обладнання з віддаленим, стертим, або зміненим заводським номером, а також якщо дані на обладнанні не відповідають даним в талоні.

Покупцеві може бути відмовлено в гарантійному ремонті якщо:

- гарантійний талон втрачений або в нього були внесені несанкціоновані доповнення, виправлення, підчищення.
- неможливо ідентифікувати серійний номер обладнання, друк, або дату продажу на гарантійному талоні.

По запитам з техобслуговування звертатися за телефоном:

0962502989

Сайт: edon.kh.ua

Модель:	Заводський серійний номер:
Назва фірми продавця:	Печатка продавця: М. П.
Дата продажу:	
«ФІО» покупця	Підпис продавця:
Відмітка про ремонт:	
Відмітка про ремонт:	
Відмітка про ремонт:	

